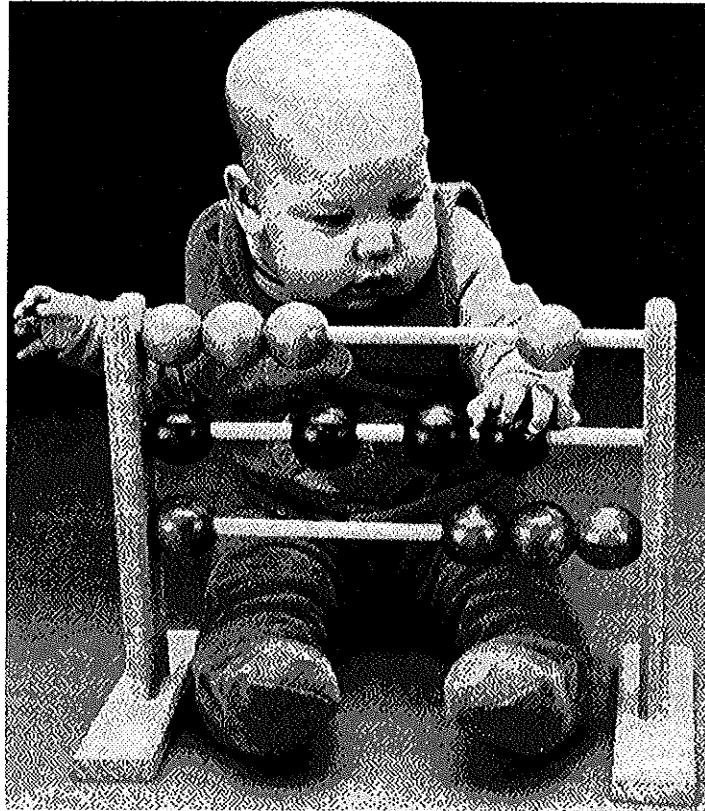


Project 18555EZ: Infant Bead Toy

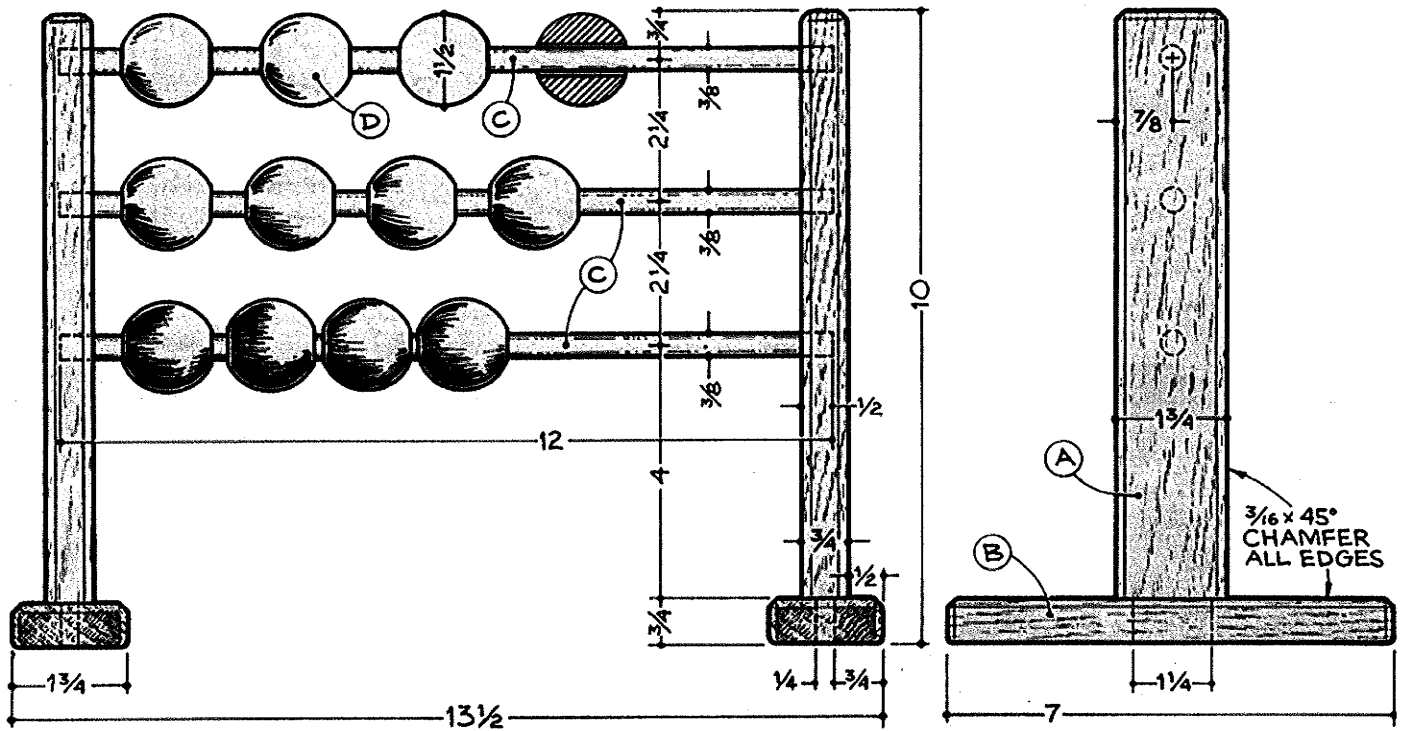


Here's a toy that will help infants discover that their hands and fingers are not there just to have something to chew on between feedings. Few can resist investigating the brightly colored movable beads, learning to touch, turn, and push each one. It's an easy-to-build project that requires little stock and can be made in just a few hours in the workshop.

Keep in mind that the child is likely to chew on this toy, so the beads should only be painted with a product that's lead-free and non-toxic when dry. The legs (parts A), feet (parts B), and dowels (parts C) are best left unpainted and unfinished.

If desired, the beads can be latheturned and drilled, but you'll probably find it's easier to purchase them ready-made.

Infant Bead Toy Complete Schematic



Infant Bead Toy Step-by-Step Instructions

1. Obtain durable hardwood for parts A, B, and C: oak and birch dowel stock, for example.
2. Cut parts A to overall length and width.
3. Lay out the tenon on the bottom end.
4. Use the table saw miter gauge in conjunction with the dadohead cutter to cut the tenon.
5. Drill dowel holes as shown.
6. Use a sharp chisel to cut the mortise in parts B.
7. Use glue and assemble parts B to part A.
8. Add painted beads to the dowels.
9. Use glue and assemble parts C to A.
10. Clamp all parts securely and allow to dry overnight.
11. Sand thoroughly.
12. Apply a 3/16" by 45-degree chamfer to all edges to complete the project.

These plans were originally published in Volume 8, Issue 1 of *The Woodworker's Journal* (Jan./Feb. 1984, page 50).