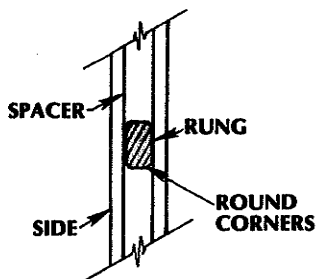
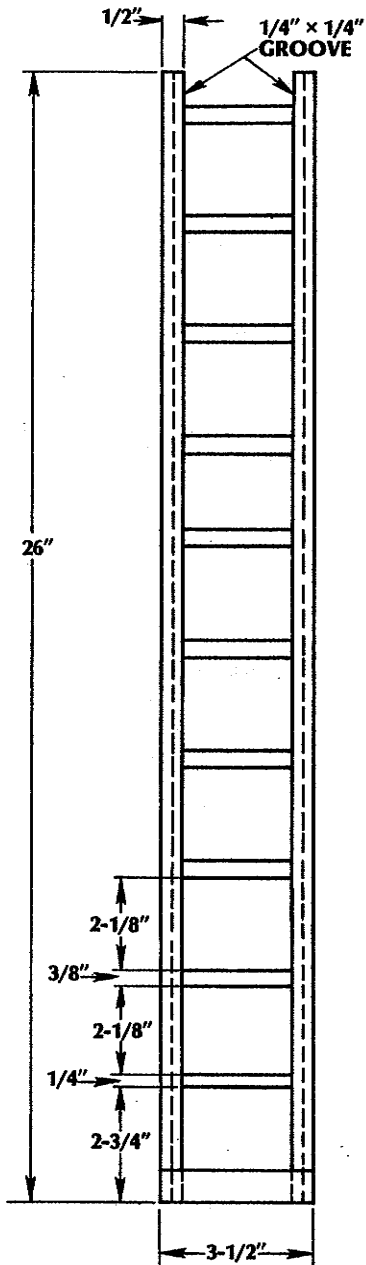


RACING FIREFIGHTERS

From HANDS ON Sept/Oct 82

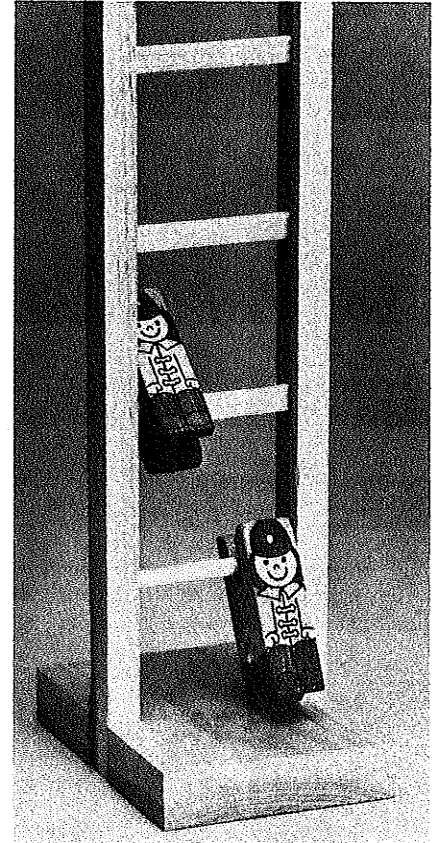
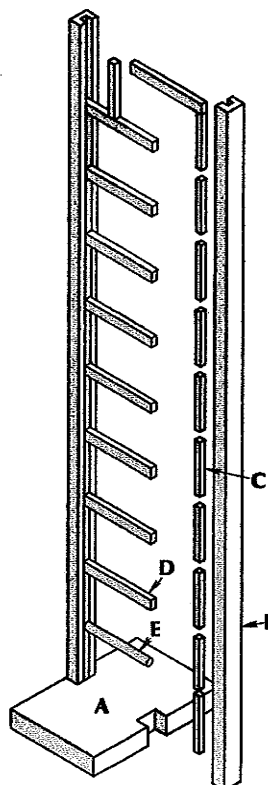


Young and old alike are amused by this clever toy. The bottom rung of the ladder is the trick that keeps the firemen on the ladder at the bottom.

1. Cut all pieces for the ladder and base. Precision is important. Plans show a $1/4" \times 1/4"$ groove to accept rungs and spacers. You can make this with the table saw and dado accessory. An alternative method is to form the ladder by using a $1/4"$ mortising attachment to form squared holes for each of the rungs.

2. Assemble all parts using woodworker's glue. Then round all sharp edges. Too large a flat on rungs (D) will slow or stop the action of the toy.

3. Make the racers (F) following the pattern provided. Drill the holes in each racer; then, cut them on the bandsaw or jigsaw. Sand and fit them to the ladder. Apply a non-toxic finish. A little paraffin helps to lubricate the racers on their journey; furthermore, you may choose to make them of hardwood.



LIST OF MATERIALS

(finished dimensions in inches)

A	Base	$3/4 \times 3-1/2 \times 5$
B	Sides (2)	$1/2 \times 3/4 \times 26$
C	Spacers (20)	$1/4 \times 1/4 \times 2-1/8$
D	Rungs (9)	$1/4 \times 3/8 \times 3$
E	Rung	$1/4 \text{ dia.} \times 3$
F	Racers (2)	$3/4 \times 1 \times 2-1/2$

